

Product: Low pass filter



Part Number: LLPF-DC/3-1

Specification					
No.	Parameter	Minimum	Typical	Maximum	Units
1	Pass band	Dc	-	3	GHz
2	Insertion Loss	-	-	1.2	dB
3	Rejection	$\geq 50\text{dB @ } 3.75\sim 16\text{Ghz}$			Ghz
4	VSWR	-		2.0	-
5	Power			15w	W cw
6	Operating Temperature Range	0	-	+60	°C
7	Impedance	-	50	-	Ω
8	Connector	SMA-F			
9	Preferred finish	black			

Remarks:

.Power rating is for load vswr better than 1.20:1

Environmental Specifications	
Operational Temperature	0°C~+60°C
Storage Temperature	-50°C~+85°C
Vibration	25gRMS (15 degrees 2KHz) endurance, 1 hour per axis
Humidity	100% RH at 35°C, 95%RH at 40°C
Shock	20G for 11msec half sine wave,3 axis both directions
Mechanical Specifications	
Housing	Aluminum
Connector	Ternary alloy
Female Contact:	gold plated beryllium bronze
Rohs	compliant
Weight	0.2kg

Outline Drawing:

All Dimensions in mm

Outline Tolerances $\pm 0.5(0.02)$

成都利德尔科技有限公司 ChengDu Leader Microwave Technology Co.,Ltd

电话: 028-65199117 传真: 028-65199116

<http://www.leadermicrowave.com> sales@leader-mw.com

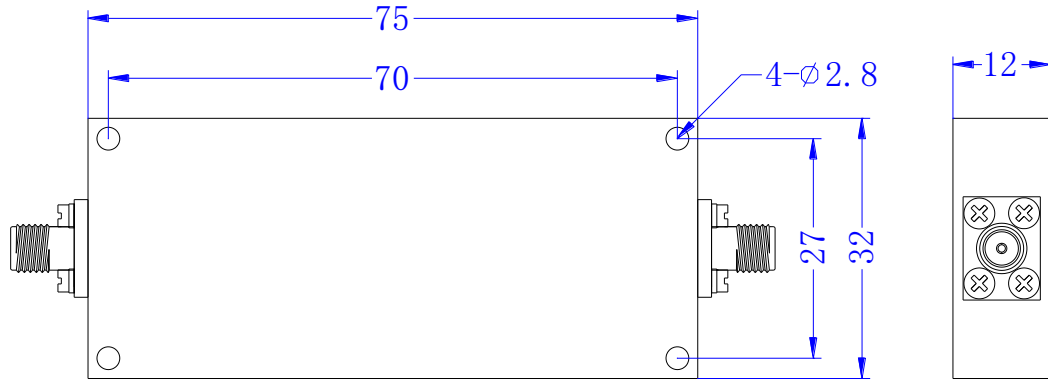
TEL: +86-28-65199117 FAX: +86-28-65199116

Add: 中国 成都市成华区华翰路 89 号 610000

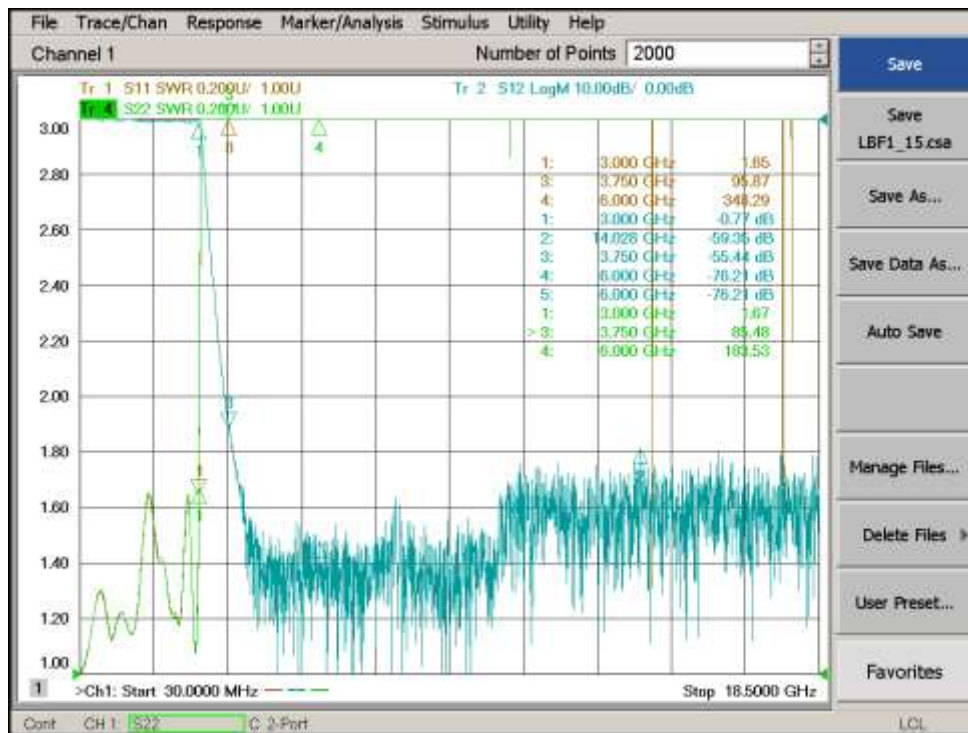
No.89,Huahan Road, chenghua Zone Chengdu, Sichuan China Zip Code:610000

Mounting Holes Tolerances $\pm 0.2(0.008)$

All Connectors: SMA-Fema



Test data



成都利德尔科技有限公司 ChengDu Leader Microwave Technology Co.,Ltd

电话: 028-65199117 传真: 028-65199116

http://www.leadermicrowave.com sales@leader-mw.com

TEL: +86-28-65199117 FAX: +86-28-65199116

Add: 中国 成都市成华区华翰路 89 号 610000

No.89,Huahan Road, chenghua Zone Chengdu, Sichuan China Zip Code:610000

成都利德尔科技有限公司 ChengDu Leader Microwave Technology Co.,Ltd

电话: 028-65199117 传真: 028-65199116

http://www.leadermicrowave.com sales@leader-mw.com

TEL: +86-28-65199117 FAX: +86-28-65199116

Add: 中国 成都市成华区华翰路 89 号 610000

No.89,Huahan Road, chenghua Zone Chengdu, Sichuan China Zip Code:610000